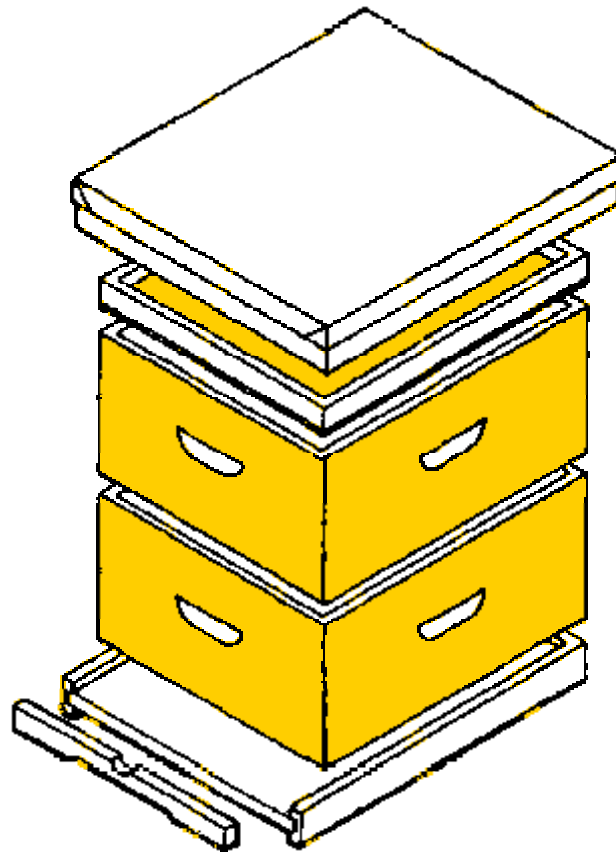
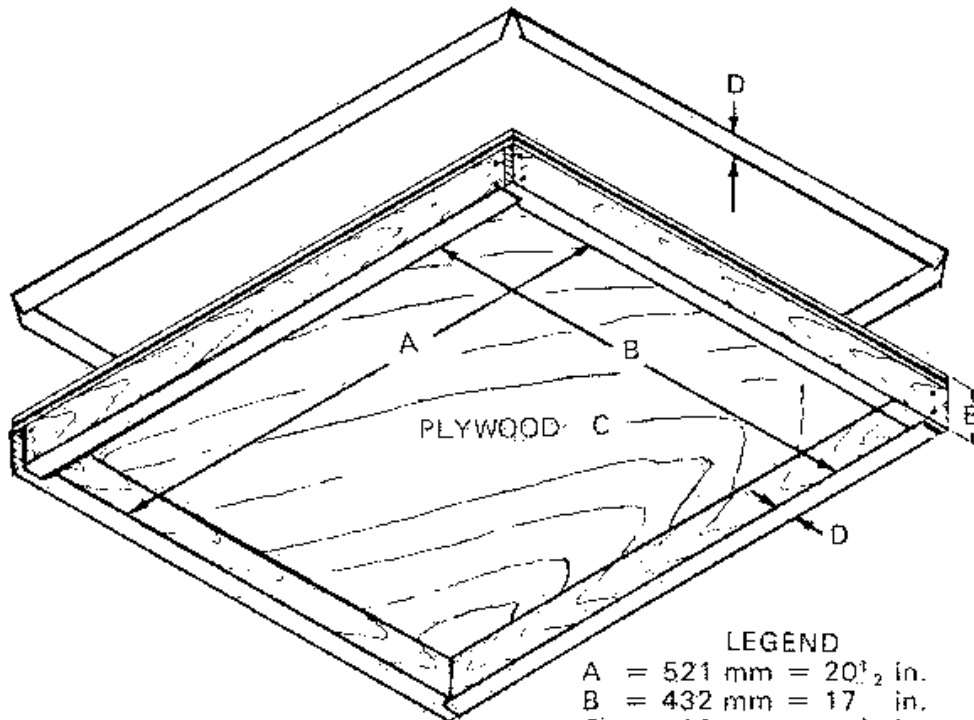


Beehive construction



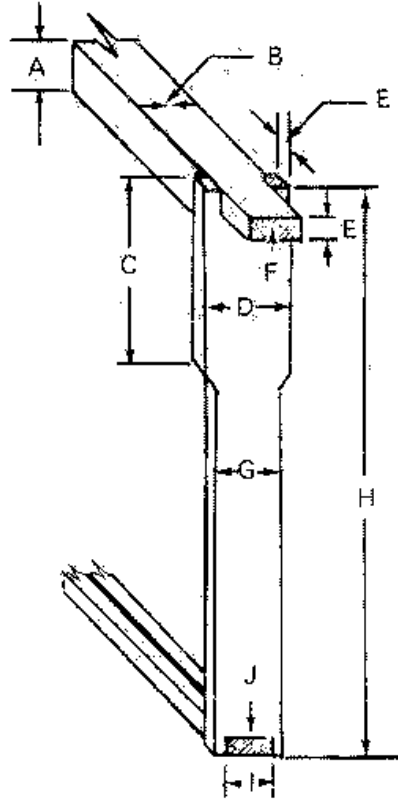
Cover



LEGEND

| | | | | |
|---|---|--------|---|------------------------------------|
| A | = | 521 mm | = | 20 ¹ / ₂ in. |
| B | = | 432 mm | = | 17 in. |
| C | = | 13 mm | = | 1/2 in. |
| D | = | 19 mm | = | 3/4 in. |
| E | = | 51 mm | = | 2 in. |

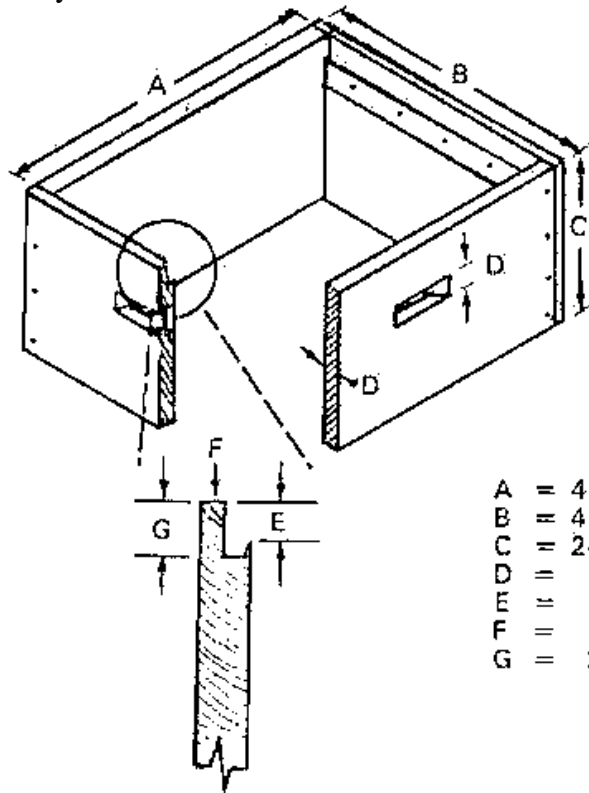
Top Frame



LEGEND

| | | | | |
|---|---|--------|---|--------------------|
| A | = | 19 mm | = | $\frac{3}{4}$ in. |
| B | = | 25 mm | = | 1 in. |
| C | = | 75 mm | = | 3 in. |
| D | = | 35 mm | = | $1\frac{3}{8}$ in. |
| E | = | 9 mm | = | $\frac{3}{8}$ in. |
| F | = | 22 mm | = | $\frac{7}{8}$ in. |
| G | = | 27 mm | = | $1\frac{1}{8}$ in. |
| H | = | 232 mm | = | $9\frac{1}{8}$ in. |
| I | = | 19 mm | = | $\frac{3}{4}$ in. |
| J | = | 8 mm | = | $\frac{5}{16}$ in. |

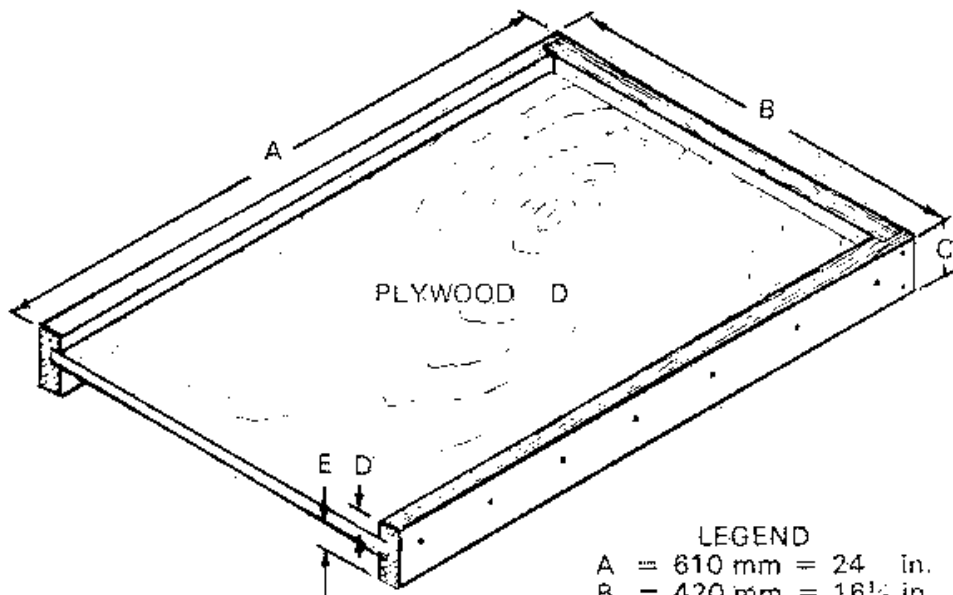
Body



LEGEND

| | | | | |
|---|---|--------|---|-------------------------------------|
| A | = | 487 mm | = | 19 ¹ / ₁₆ in. |
| B | = | 420 mm | = | 16 ¹ / ₂ in. |
| C | = | 241 mm | = | 9 ¹ / ₂ in. |
| D | = | 19 mm | = | 3 ³ / ₈ in. |
| E | = | 16 mm | = | 5 ¹ / ₈ in. |
| F | = | 9 mm | = | 3 ³ / ₈ in. |
| G | = | 22 mm | = | 7 ¹ / ₈ in. |

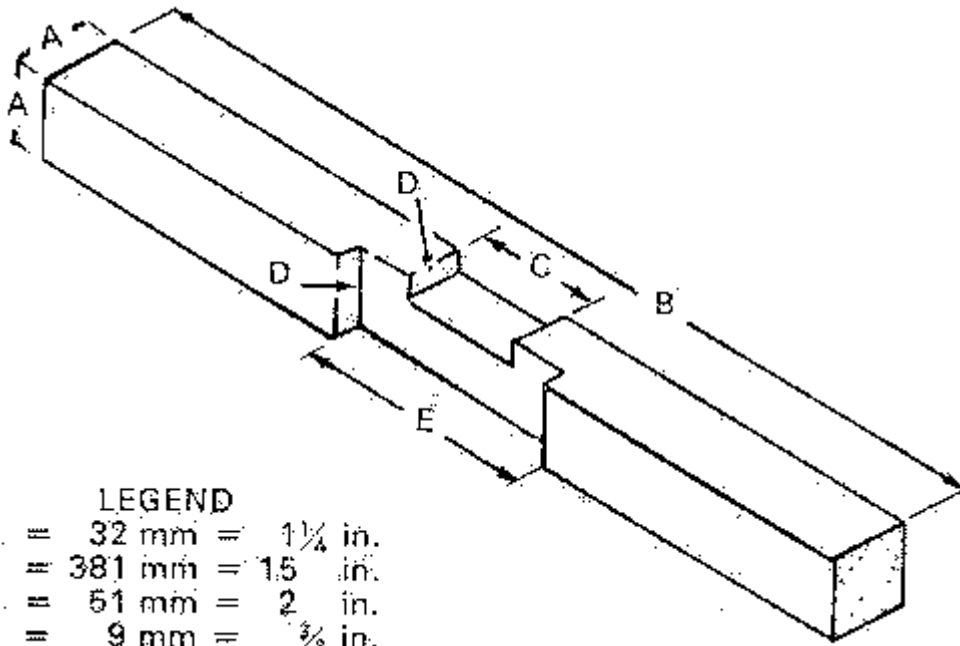
Base



LEGEND

| | | | | |
|---|---|--------|---|------------------------------------|
| A | = | 610 mm | = | 24 in. |
| B | = | 420 mm | = | 16 ¹ / ₂ in. |
| C | = | 47 mm | = | 1 ⁷ / ₈ in. |
| D | = | 13 mm | = | 1 ¹ / ₂ in. |
| E | = | 22 mm | = | 7 ¹ / ₈ in. |

Entrance



LEGEND

| | | | | |
|---|---|--------|---|--------|
| A | = | 32 mm | = | 1¼ in. |
| B | = | 381 mm | = | 15 in. |
| C | = | 51 mm | = | 2 in. |
| D | = | 9 mm | = | ¾ in. |
| E | = | 100 mm | = | 4 in. |